

Twin thermostat 0°-60°C, 1 NO/1 NC



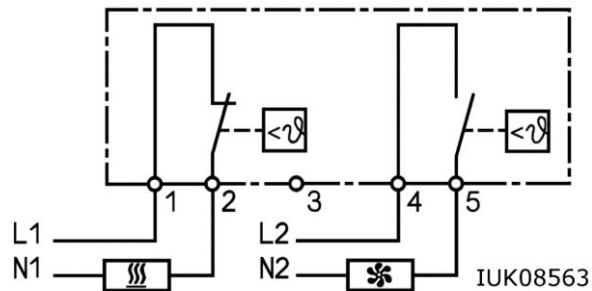
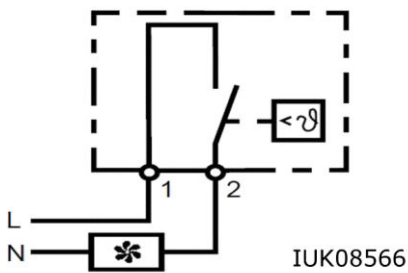
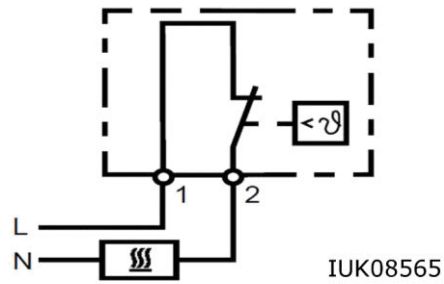
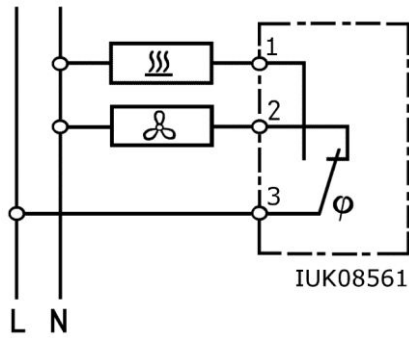
SCHRACK-Info

- Thermostats are used as temperature controllers and to control filter fans and radiant heaters. The series of thermostats consists of three types that are available with NC, NO and CO contact. The twin thermostat is designed as fan and heating control system (1 NO/1 NC)
- Mounting: snap fastening for 35 mm profile bars

Technical Data

Net width (mm)	59,00
Net height (mm)	80,50
Netto depth (mm)	38,00
Net weight (kg)	0,09
Min. ambient temperature (°C)	-40
Max. ambient temperature (°C)	80
Colour	RAL 7035 (Light grey)
Height (mm)	80,50
Depth (mm)	38
IP Rating	IP20
Width (mm)	59
Rated voltage	230V-AC
Product category	Regelung
Temperature setting range	0° - 60° C

Circuit Diagram Thermostats



Technical Data Thermostats

Data	Unit	IUK08561	IUK08565	IUK08566	IUK08563
Type of contact		Changeover (CO) with spring contact	Normally closed (NC) with spring contact	Normally open (NO) with spring contact	Normally closed (NC) / Normally open (NO) with spring contact
Setting range	°C (°F)	0 to +60°C (+32...+140°F)	0 to +60°C (+32...+140°F)	0 to +60°C (+32...+140°F)	0 to +60°C (+32...+140°F)
Switching temp. difference	[K]	1	< 7	< 7	< 7
Switching point tolerance	[K]	± 3	± 4	± 4	± 4
Max. switching power	[V]	Normally closed (NC) ... 100 -250V AC	240V AC	240V AC	Normally closed (NC) ... 240VAC
value in brackets:	[A]	10 (2)A	10 (2)A	10 (2)A	10 (2)A
inductive load at	[V]	Normally open (NO) ...100 -250V AC	120V AC	120V AC	Normally open (NO) ...120V AC
cos φ = 0.6	[A]	5 (2)A	15 (2)A	15 (2)A	15 (2)A
	DC [W]	max. 30	max. 30	max. 30	max. 30
Operating temp. range	°C (°F)	-40 to +80°C (-40...+176°F)	-40 to +80°C (-40...+176°F)	-40 to +80°C (-40...+176°F)	-20 to +80°C (-4...+179°F)
Storage temperature range	°C (°F)	-40 to +80°C (-40...+176°F)	-40 to +80°C (-40...+176°F)	-40 to +80°C (-40...+176°F)	-20 to +80°C (-4...+179°F)
Dimensions H x W x D	[mm]	64 x 37 x 46	72 x 40 x 36	72 x 40 x 36	80.5 x 59 x 38
Sensor type		Bimetal	Bimetal	Bimetal	Bimetal
Degree of protection		IP 20	IP 20	IP 20	IP 20
Weight	[g]	75	50	50	95
Connection type		Screw terminal for cable cross-section 0.5 up to 2.5mm ²			
Suitable for the operation of		Ventilator and radiator	Heating	Ventilator	Ventilator and radiator
Type of mounting		Snap fastening for 35mm profile rails according to EN 60715			
Color		RAL 7035			

DESCRIPTION	Order No.
Twin thermostat 0°-60°C, 1 NO/1 NC	IUK08563